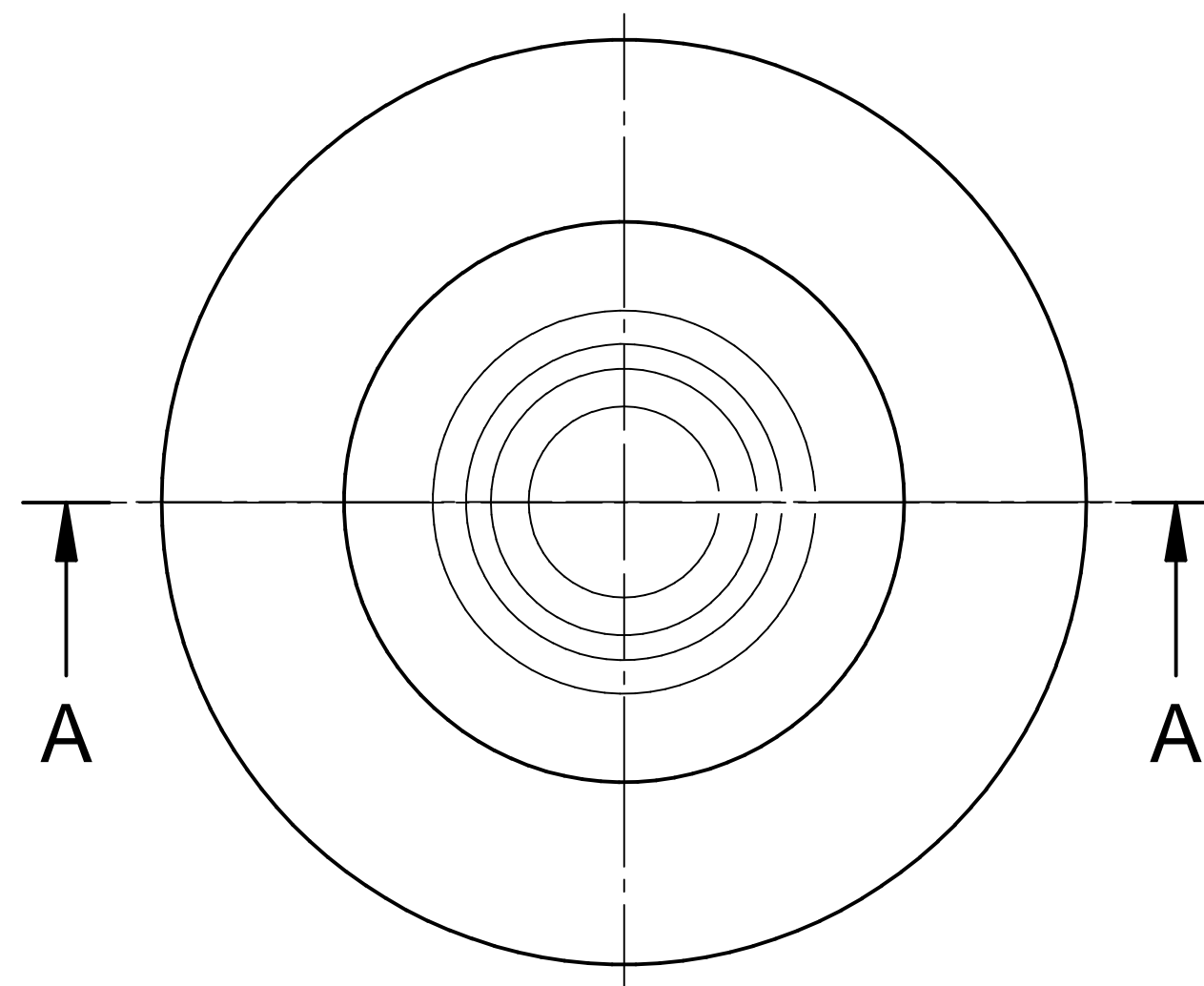
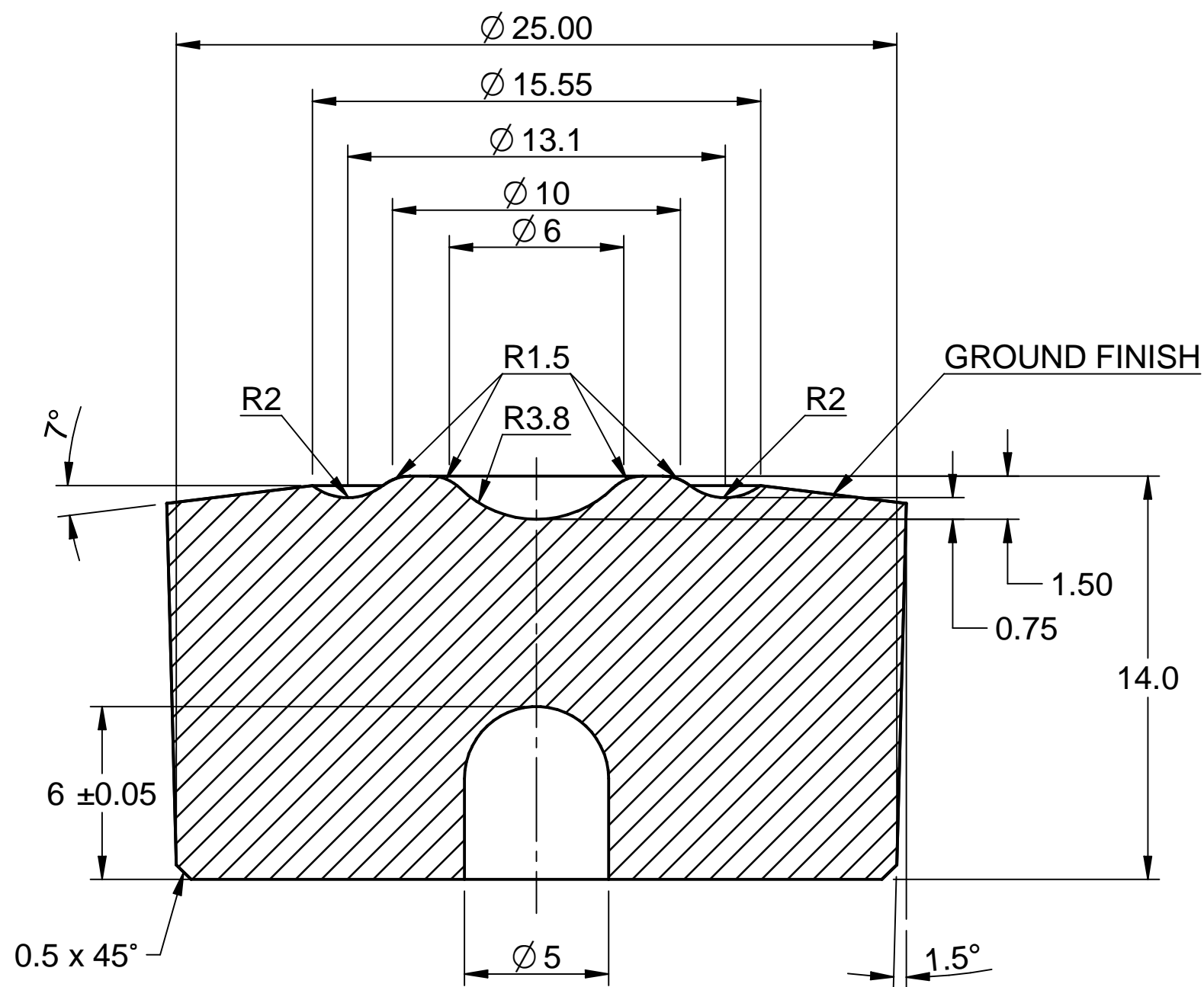
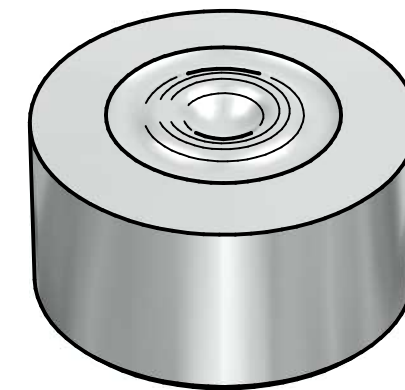


A3 SI-4105-231

A



SECTION A-A

A	17/11/2010	----	SJH	md	md	MANUFACTURE ONLY WHEN STATUS IS ISSUED	ISSUED
ISSUE	DATE	MOD. No.	DRAWN BY	CHKD BY	APPD BY		STATUS
ISIS PROJECT ENGINEERING GROUP			USED ON		----	----	----
RUTHERFORD APPLETON LABORATORY, HARWELL SCIENCE & INNOVATION CAMPUS, DIDCOT, OXON, OX11 0QX							
TITLE							
PEARL				SAMPLE ENVIRONMENT			
A3 SI-4105-231						SHEET	1 of 1
							A



TOLERANCES UNLESS STATED IN mm
 X ± 0.5
 X.X ± 0.3
 X.XX ± 0.1

ANGLE
 ± 0.2°

SURFACE TEXTURE UNLESS STATED
 N/A $\sqrt{\mu\text{m}}$

DRAWING CONFORMS TO BS 8888

MATERIAL & SPEC.

FINISH

DIMENSIONS IN mm UNLESS STATED

WC NK10

CLEAN
 REMOVE ALL BURRS